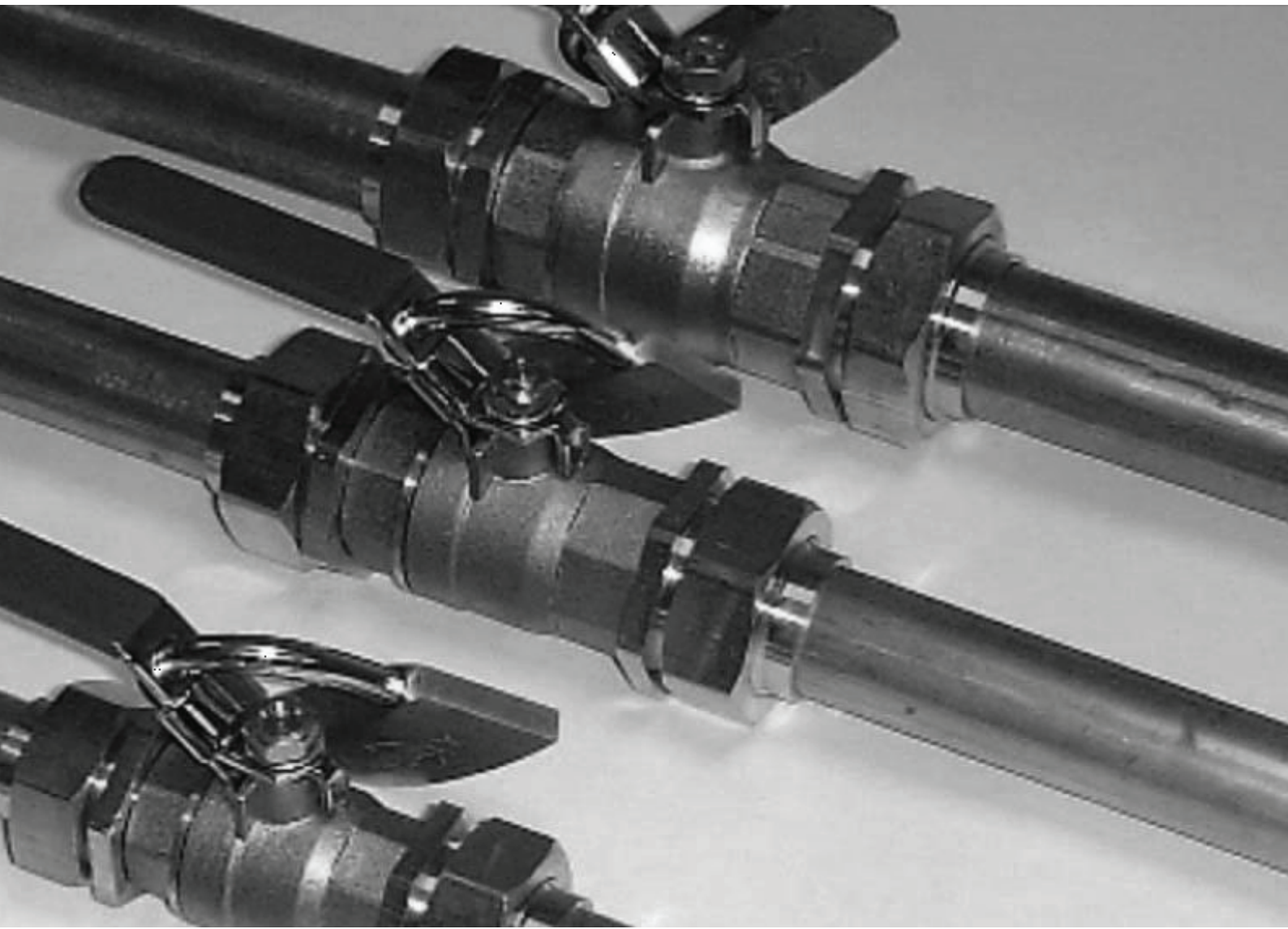
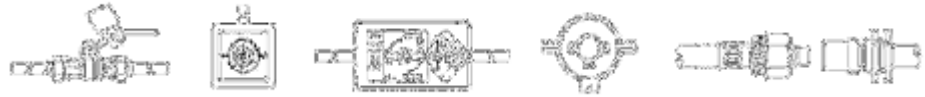


LOCKABLE LINE VALVE





LOCKABLE LINE VALVE



Description

Lockable Line Valves consist of a brass ball valve fitted with flat face unions and copper pipe stubs. The copper pipe stubs enable installation utilising fluxless brazing to WKO(82)1. The unions incorporate o-ring seals ensuring gas tight connections. The valve handle is lockable in the open or closed position to prevent unauthorised or inadvertent operation of the valve.

Lockable Line Valves are available for all standard pipework sizes from ϕ 15mm to ϕ 108mm. Other sizes are available on request. Non-lockable versions are also available.

Designed to meet the requirements of;

- **HTM 2022** **Medical Gas Pipeline Systems.**
- **C11** **NHS Model Engineering Specification – Medical Gases.**
- **BS EN 737-3** **Pipelines for compressed medical gases and vacuum.**

Ordering Information

Type	Part Number
15mm	1-16000-09
22mm	1-16001-09
28mm	1-16002-09
35mm	1-16003-09
42mm	1-16004-09
54mm	1-16005-09
76mm	1-16006-09
108mm	1-16007-09

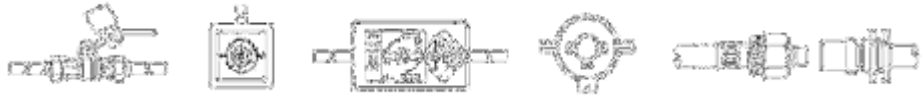


ISO 9001 / EN 46001

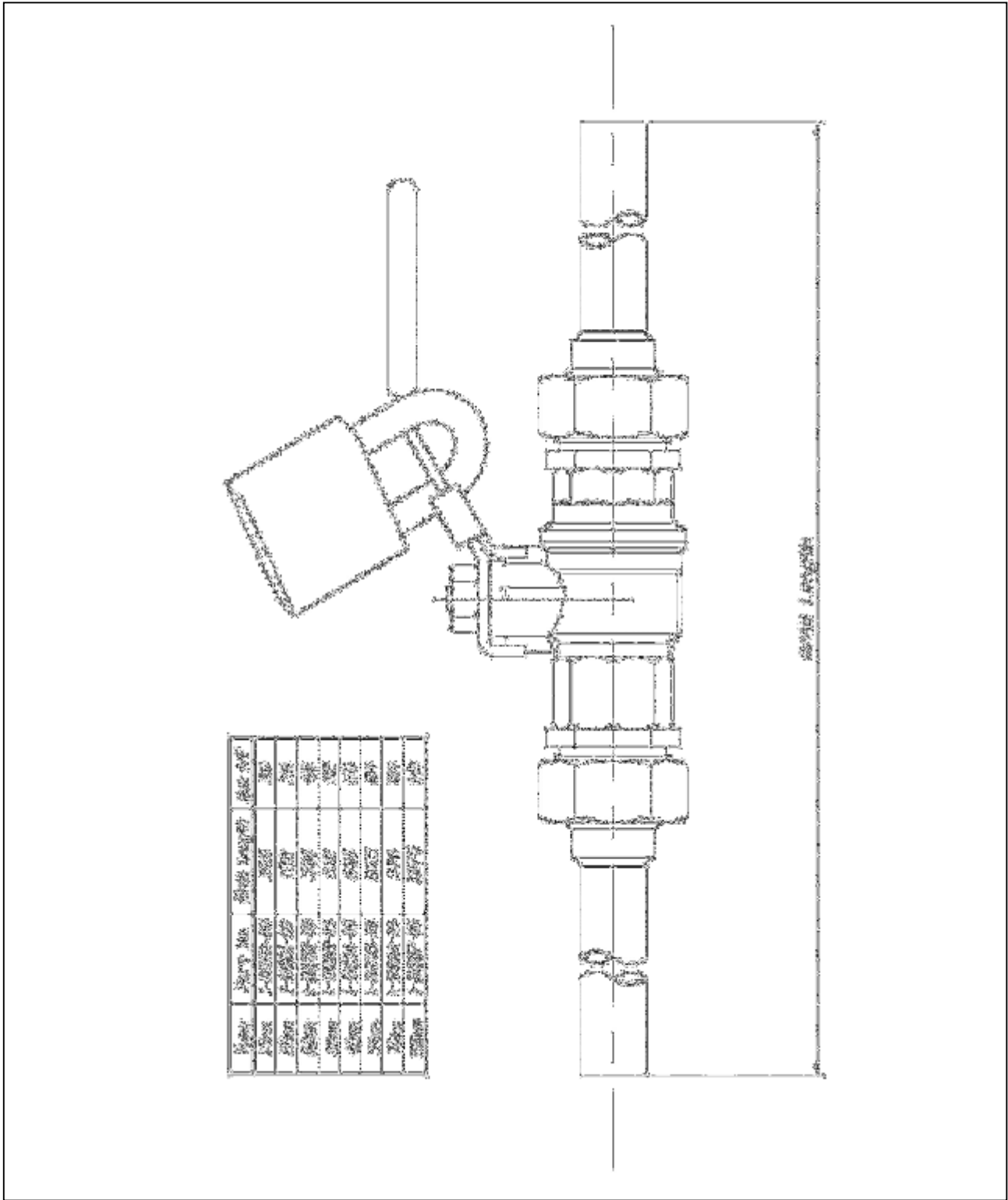
Phoenix Pipeline Products Limited.

Swift Works, Epsom Avenue,
Brooke Park, Handforth,
Wilmslow, Cheshire,
U.K., SK9 3PW

Tel No.: +44 (0) 161 486 7408
Fax No.: +44 (0) 161 486 7430
Email: techno@serv73.fsbusiness.co.uk
www.phoenix-p3.com



LOCKABLE LINE VALVE



Part No.	Part Name	QTY	Part No.	Part Name	QTY
10000001	VALVE BODY	1	10000002	VALVE HANDLE	1
10000003	VALVE O-RING	2	10000004	VALVE O-RING	2
10000005	VALVE O-RING	2	10000006	VALVE O-RING	2
10000007	VALVE O-RING	2	10000008	VALVE O-RING	2
10000009	VALVE O-RING	2	10000010	VALVE O-RING	2
10000011	VALVE O-RING	2	10000012	VALVE O-RING	2
10000013	VALVE O-RING	2	10000014	VALVE O-RING	2
10000015	VALVE O-RING	2	10000016	VALVE O-RING	2
10000017	VALVE O-RING	2	10000018	VALVE O-RING	2
10000019	VALVE O-RING	2	10000020	VALVE O-RING	2
10000021	VALVE O-RING	2	10000022	VALVE O-RING	2
10000023	VALVE O-RING	2	10000024	VALVE O-RING	2
10000025	VALVE O-RING	2	10000026	VALVE O-RING	2
10000027	VALVE O-RING	2	10000028	VALVE O-RING	2
10000029	VALVE O-RING	2	10000030	VALVE O-RING	2
10000031	VALVE O-RING	2	10000032	VALVE O-RING	2
10000033	VALVE O-RING	2	10000034	VALVE O-RING	2
10000035	VALVE O-RING	2	10000036	VALVE O-RING	2
10000037	VALVE O-RING	2	10000038	VALVE O-RING	2
10000039	VALVE O-RING	2	10000040	VALVE O-RING	2
10000041	VALVE O-RING	2	10000042	VALVE O-RING	2
10000043	VALVE O-RING	2	10000044	VALVE O-RING	2
10000045	VALVE O-RING	2	10000046	VALVE O-RING	2
10000047	VALVE O-RING	2	10000048	VALVE O-RING	2
10000049	VALVE O-RING	2	10000050	VALVE O-RING	2
10000051	VALVE O-RING	2	10000052	VALVE O-RING	2
10000053	VALVE O-RING	2	10000054	VALVE O-RING	2
10000055	VALVE O-RING	2	10000056	VALVE O-RING	2
10000057	VALVE O-RING	2	10000058	VALVE O-RING	2
10000059	VALVE O-RING	2	10000060	VALVE O-RING	2
10000061	VALVE O-RING	2	10000062	VALVE O-RING	2
10000063	VALVE O-RING	2	10000064	VALVE O-RING	2
10000065	VALVE O-RING	2	10000066	VALVE O-RING	2
10000067	VALVE O-RING	2	10000068	VALVE O-RING	2
10000069	VALVE O-RING	2	10000070	VALVE O-RING	2
10000071	VALVE O-RING	2	10000072	VALVE O-RING	2
10000073	VALVE O-RING	2	10000074	VALVE O-RING	2
10000075	VALVE O-RING	2	10000076	VALVE O-RING	2
10000077	VALVE O-RING	2	10000078	VALVE O-RING	2
10000079	VALVE O-RING	2	10000080	VALVE O-RING	2
10000081	VALVE O-RING	2	10000082	VALVE O-RING	2
10000083	VALVE O-RING	2	10000084	VALVE O-RING	2
10000085	VALVE O-RING	2	10000086	VALVE O-RING	2
10000087	VALVE O-RING	2	10000088	VALVE O-RING	2
10000089	VALVE O-RING	2	10000090	VALVE O-RING	2
10000091	VALVE O-RING	2	10000092	VALVE O-RING	2
10000093	VALVE O-RING	2	10000094	VALVE O-RING	2
10000095	VALVE O-RING	2	10000096	VALVE O-RING	2
10000097	VALVE O-RING	2	10000098	VALVE O-RING	2
10000099	VALVE O-RING	2	10000100	VALVE O-RING	2



CE 0473

ISO 9001 / EN 46001

Phoenix Pipeline Products Limited.

Swift Works, Epsom Avenue,
Brooke Park, Handforth,
Wilmslow, Cheshire,
U.K., SK9 3PW

Tel No.: +44 (0) 161 486 7408
Fax No.: +44 (0) 161 486 7430
Email: techno@serv73.fsbusiness.co.uk
www.phoenix-p3.com

24V/Rev2